

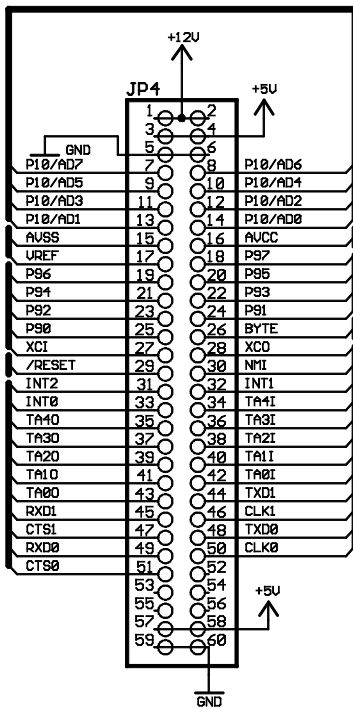
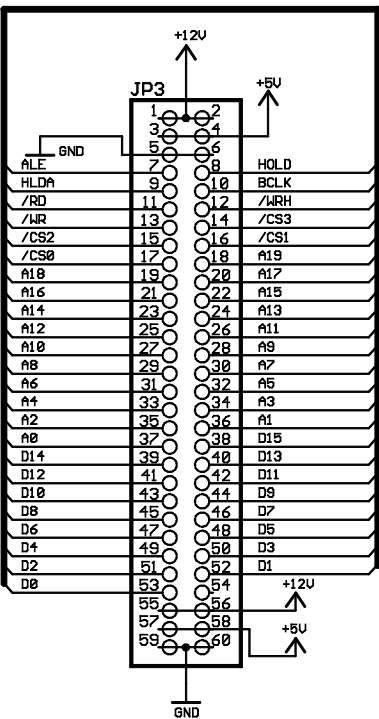
for Autoflash (M16C-Flasher) <http://www.m16c-flasher.de>

- Select contrast voltage SJ1
- 4 - ContrastIN
 - 8 - C/D
 - 10 - /RESET
 - 19 - FontSelect
 - 20 - Contrast voltage OUT (if supported by LCD)

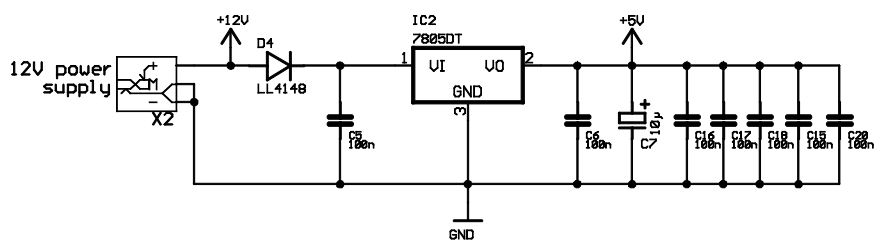
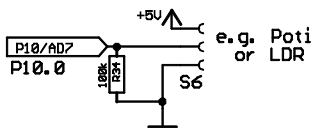
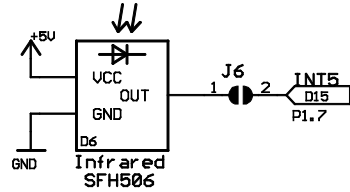
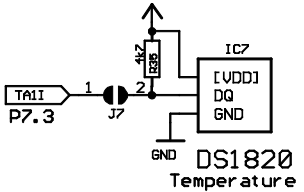
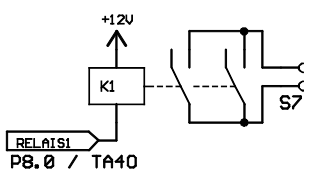
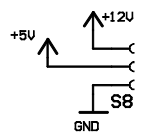
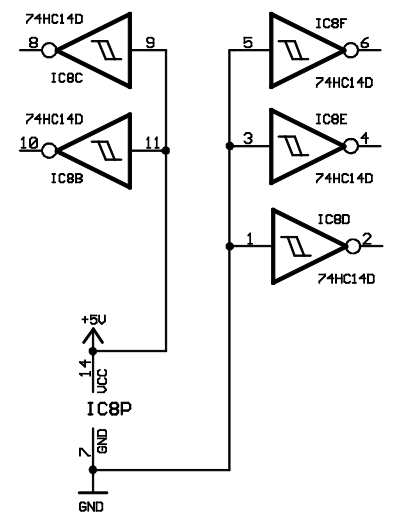
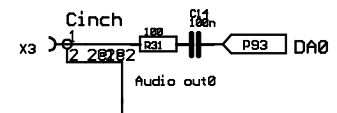
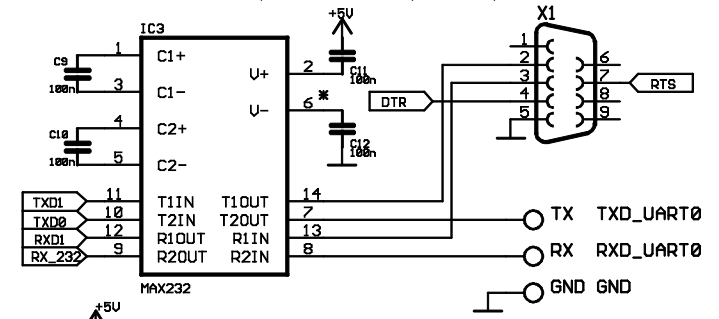
- Jumper settings:
- J1 - close for 16bit databus
 - J2 - select UART mode
 - J3 - connect Uref
 - J4 - connect AUcc
 - J5 - connect AVss
 - J6 - connect SFH506
 - J7 - connect DS1B20
 - J8 - connect relais
 - SJ1 - select contrast voltage
 - SJ2 - select RxD0

M16C-Ctr1		Erstellt: IB
Dok.: 0502-011		Geprüft:
File: m16C	Version: 1.1	
Datum: 31.03.2005 10:23:35	Blatt: 1/2	

<http://www.mikrocontroller.com>



*) You can use this pin as contrast voltage OUT, if your display doesn't have an inbuilt voltage inverter. Just close Jumper J10 and open Jumper J9!



<https://www.mikrocontroller.com>

M16C-Ctrl		Erstellt: IB
Dok.: 0502-011		Geprüft:
File: m16C	Version: 1.0	
Datum: 31.03.2005 10:23:35	Blatt: 2/2	